

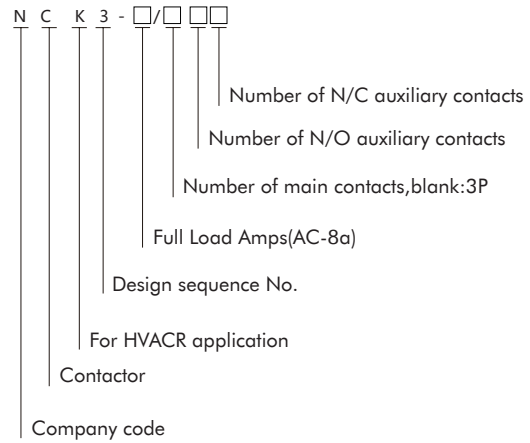


NCK3 Series Definite Purpose Contactors

1. General

- 1.1 Certificates: UL, CE, CSA
- 1.2 Application: HVACR;
- 1.3 Utilization category: AC-1, AC-8a;
- 1.4 Rated insulation voltage: 630V;
- 1.5 Standard: UL/CSA 60947-4-1 IEC/EN 60947-4-1
- 1.6 Normal operating conditions:
 - Ambient air temperature: $-5^{\circ}\text{C} \sim +40^{\circ}\text{C}$
 - Pollution degree: 2.
 - Altitude: $\leq 2000\text{m}$
 - Mounting angle: The inclination between the mounting surface and vertical plane cannot exceed $\pm 5^{\circ}$.
- 1.7 IP00

2. Type designation



3. Technical data

3.1 Contactor

Model	NCK3-20/1-40/1							Voltage	Single-phase horsepower
	FLA			RES	LRA				
	240/277V	480V	600V			240/277V	480V	600V	
NCK3-20/1	25	25	25	35	152	125	100	120	1
								240	2
NCK3-25/1	25	25	25	35	150	125	100	120	1
								240	2
NCK3-30/1	32	32	32	40	200	150	120	120	1
								240	2
NCK3-32/1	32	32	32	40	200	150	120	120	1
								240	2
NCK3-40/1	40	40	40	50	240	200	160	120	2
								240	3

★ NCK3, 1 pole+1 NC auxiliary contact

Model	NCK3-20/101-40/101							Voltage	Single-phase horsepower
	FLA			RES	LRA				
	240/277V	480V	600V			240/277V	480V	600V	
NCK3-20/101	25	25	25	35	150	125	100	120	1
								240	2
NCK3-25/101	25	25	25	35	150	125	100	120	1
								240	2
NCK3-30/101	32	32	32	40	200	150	120	120	1
								240	2
NCK3-32/101	32	32	32	40	200	150	120	120	1
								240	2
NCK3-40/101	40	40	40	50	240	200	160	120	2
								240	3

3.2 Contactor

★ NCK3, 2Pole

Model	NCK3-20/2-40/2							Voltage	Single-phase horsepower
	FLA			RES	LRA				
	240/277V	480V	600V			240/277V	480V	600V	
NCK3-20/2	25	25	25	35	150	125	100	120	2
								240	3
NCK3-25/2	25	25	25	35	150	125	100	120	2
								240	3
NCK3-30/2	32	32	32	40	200	150	120	120	2
								240	3
NCK3-32/2	32	32	32	40	200	150	120	120	2
								240	3
NCK3-40/2	40	40	40	50	240	200	160	120	2
								240	3

★ NCK3, 3Pole

Model	NCK3-20-40								Voltage	Single-phase horsepower	Three-phase horsepower
	FLA			RES	LRA						
	240/277V	480V	600V		240/277V	480V	600V				
NCK3-20	25	25	25	35	150	125	100	120	2	/	
								240/277	5	10	
								480	/	15	
								600	/	20	
NCK3-25	25	25	25	35	150	125	100	120	2	/	
								240/277	5	10	
								480	/	15	
								600	/	20	
NCK3-30	32	32	32	40	200	150	120	120	2	/	
								240/277	5	10	
								480	/	15	
								600	/	20	
NCK3-32	32	32	32	40	200	150	120	120	2	/	
								240/277	5	10	
								480	/	15	
								/	/	20	
NCK3-40	40	40	40	50	240	200	160	120	3	/	
								240/277	7.5	10	
								480	/	20	
								600	/	25	

Model	NCK3-50-60								Voltage	Single-phase horsepower HP	Three-phase horsepower HP
	FLA			RES	LRA						
	240/277V	480V	600V		240/277V	480V	600V				
NCK3-50	50	50	50		300	250	200	110/120	3	/	
								200/208	7.5	15	
								240/277	10	15	
								480	/	25	
								600	/	25	
NCK3-60	60	60	60	75	360	300	240	110/120	5	/	
								200/208	7.5	25	
								240/277	10	25	
								480	/	30	
								600	/	30	

Model	NCK3-75-90								Voltage	Single-phase horsepower HP	Three-phase horsepower HP
	FLA			RES	LRA						
	240/277V	480V	600V		240/277V	480V	600V				
NCK3-75	75	75	75	90	450	375	300	110/120	5	/	
								200/208	10	20	
								240/277	15	25	
								480	/	50	
								600	/	50	
NCK3-90	90	90	90	120	540	450	360	110/120	7.5	/	
								200/208	15		
								240/277	20 (88A FLA)	30	
								480	/	60	
								600	/	60 (62A FLA)	

3.3 Coil specifications

★ 1Pole+shunt, 1Pole+1 NC, auxiliary contact, 2Pole

Model		NCK3-25(20)	NCK3-30(32)	NCK3-40
Power consumption	In-rush (VA)	55	55	55
	Sealed (VA)	13	13	13
Operation range	Operation voltage	(85%~110%) Us		
	Drop-out voltage	(20%~65%) Us		
Power supply voltage Us		AC50/60Hz,24V,110V,120V,220V,240V		

★ 3Pole

Model		NCK3-20~40	NCK3-50~60	NCK3-75~90
Power consumption	In-rush (VA)	55	96	242
	Sealed (VA)	12	14	30
Operation range	Operation voltage	(85%~110%) Us		
	Drop-out voltage	(20%~65%) Us		
Power supply voltage Us		AC50/60Hz,24V,110V,120V,220V,240V		

3.4 Specifications of auxiliary contact

★ 1Pole+1 NC auxiliary contact

Ith(A)	Ui(V)	Capacity of auxiliary contact	
		AC(VA)	DC(W)
10	600	300	30




★ 3Poe, lateral auxiliary contact (NCF8-11 1NC+1NO)

Utilization category	Rated insulation voltage(V)	Resistive a mps (A)	Rated operational voltage(V)	Rated operational current(A)	Control capacity
AC-15	660V	10	380/400	0.95	360VA
DC-13	660V	10	220/230	0.15	33W

NCK3-20 ~ 40 can be equipped with 1 NCF8-11, pull-in voltage: (88% ~ 110%) Us;

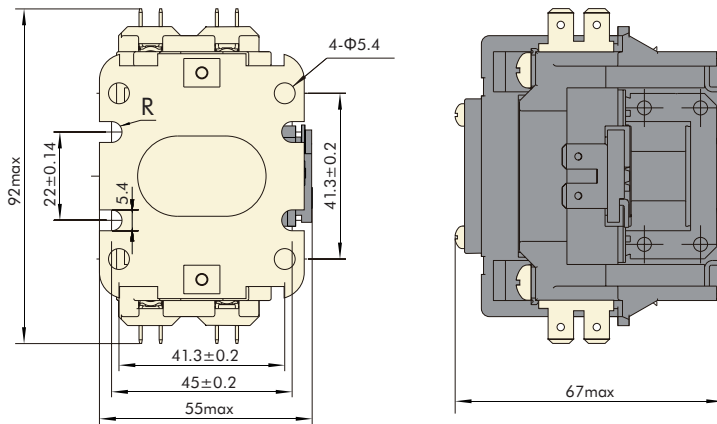
NCK3-50 ~ 90 can be equipped with 1 or 2 NCF8-11, pull-in voltage: (85% ~ 110%) Us

4. Terminal connection

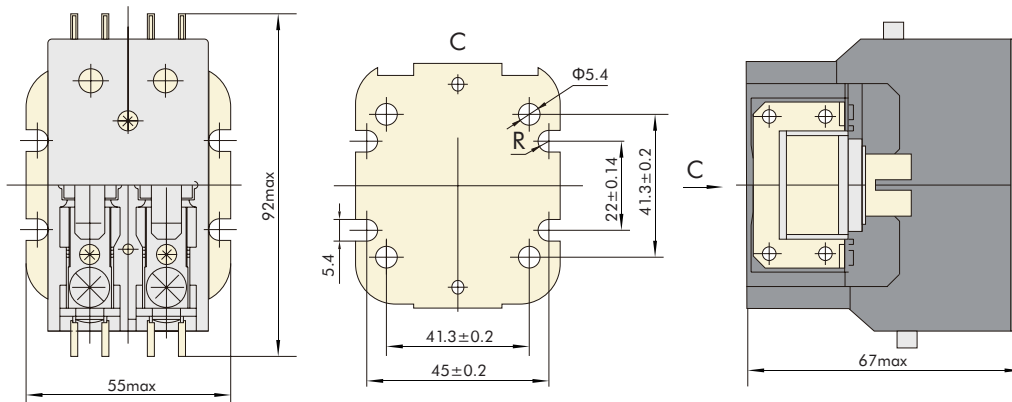
Model	Cabling(mm ²)(Cu)		Tightening torque(N·m)				
	Rigid wire with single core	Flexible stranded wire	Coil		Main circuit		
				torque(N.m)			torque(N.m)
NCK3-20	2.5~6	2.5~4	-	-	M8	M5	2.3
NCK3-25	2.5~6	2.5~4	-	-	M8	M5	2.3
NCK3-32	4~10	2.5~6	-	-	M8	M5	2.3
NCK3-40	4~10	2.5~6	-	-	M8	M5	2.3
NCK3-50	6~16	4~10	M3.5	0.8	M10	-	4.5
NCK3-60	6~16	4~10	M3.5	0.8	M10	-	4.5
NCK3-75	16~35	10~25	M4	1.2	M12	-	5.6
NCK3-90	25 ~ 35	16~25	M4	1.2	M12	-	5.6

5. Overall and mounting dimensions (mm)

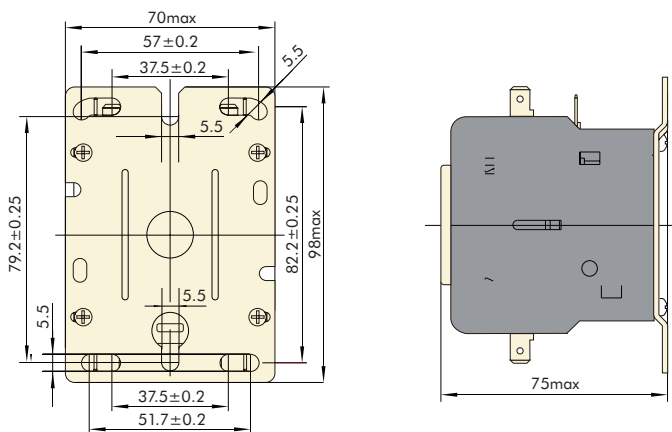
NCK3-20/1-40/1



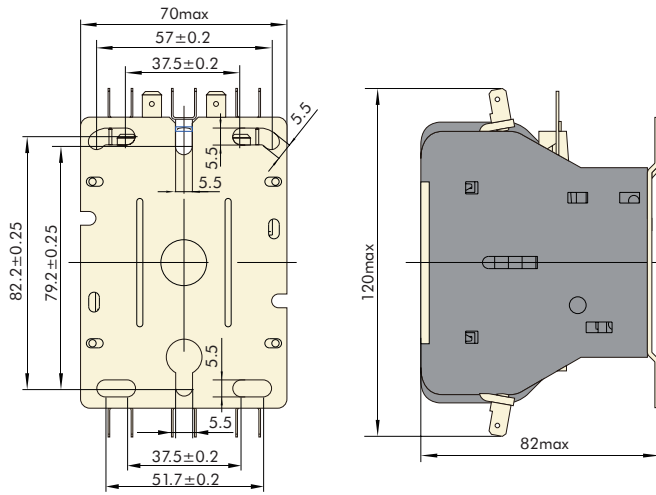
NCK3-20/2-40/2
NCK3-20/10-40/10



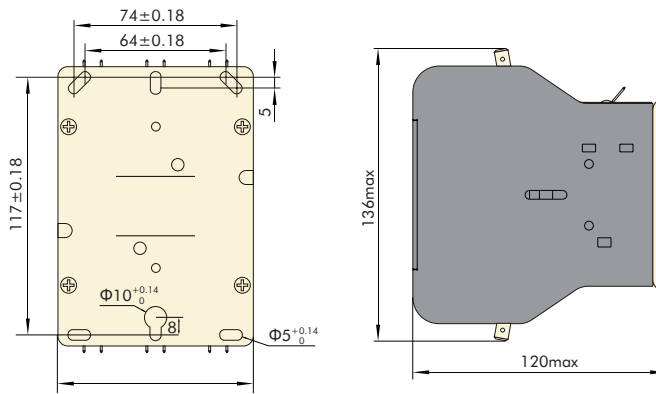
NCK3-20~40

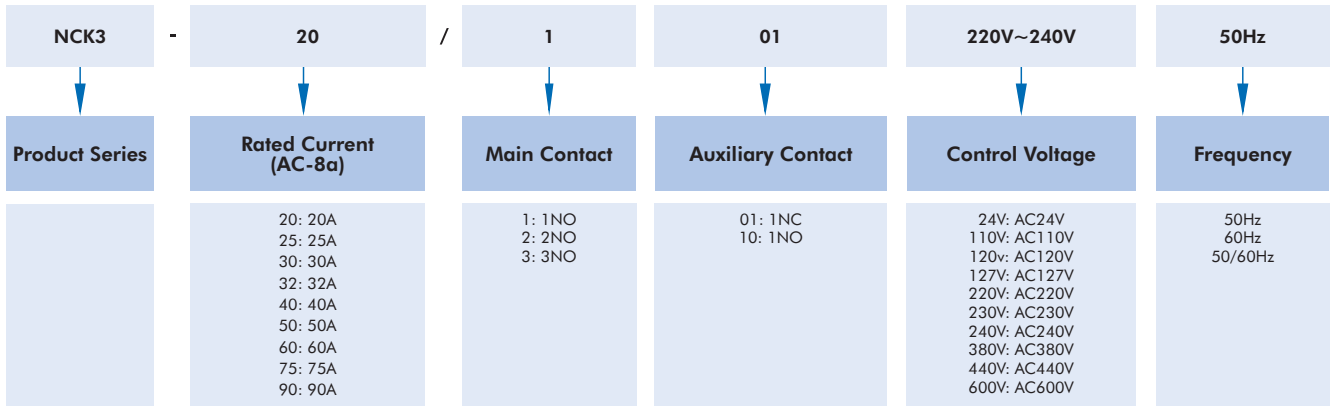


NCK3-50~60



NCK3-75~90





NCK3 Contactor 20~90A

AC-8a Current	Main Contacts	Auxiliary Contacts	Coil	Model Description	Code
20A	1P	-	AC 380V 50/60Hz	NCK3-20/1 380V 50/60Hz	246881
20A	2P	-	AC 110V 50/60Hz	NCK3-20/2 110V 50/60Hz	245102
20A	2P	-	AC 110V 50Hz	NCK3-20/2 110V 50Hz	245103
20A	2P	-	AC 110V 60Hz	NCK3-20/2 110V 60Hz	245104
20A	2P	-	AC 120V 50/60Hz	NCK3-20/2 120V 50/60Hz	245105
20A	2P	-	AC 120V 50Hz	NCK3-20/2 120V 50Hz	245106
20A	2P	-	AC 120V 60Hz	NCK3-20/2 120V 60Hz	245107
20A	2P	-	AC 220V 50/60Hz	NCK3-20/2 220V 50/60Hz	245111
20A	2P	-	AC 220V 50Hz	NCK3-20/2 220V 50Hz	245112
20A	2P	-	AC 220V 60Hz	NCK3-20/2 220V 60Hz	245113
20A	2P	-	AC 230V 50/60Hz	NCK3-20/2 230V 50/60Hz	245114
20A	2P	-	AC 230V 50Hz	NCK3-20/2 230V 50Hz	245115
20A	2P	-	AC 230V 60Hz	NCK3-20/2 230V 60Hz	245116
20A	2P	-	AC 240V 50/60Hz	NCK3-20/2 240V 50/60Hz	245117
20A	2P	-	AC 240V 50Hz	NCK3-20/2 240V 50Hz	245118
20A	2P	-	AC 240V 60Hz	NCK3-20/2 240V 60Hz	245119
20A	2P	-	AC 24V 50/60Hz	NCK3-20/2 24V 50/60Hz	245120
20A	2P	-	AC 24V 50Hz	NCK3-20/2 24V 50Hz	245122
20A	2P	-	AC 24V 60Hz	NCK3-20/2 24V 60Hz	245123
20A	2P	-	AC 380V 50/60Hz	NCK3-20/2 380V 50/60Hz	245127
20A	2P	-	AC 380V 50Hz	NCK3-20/2 380V 50Hz	245128
20A	3P	-	AC 120V 50/60Hz	NCK3-20/3 120V 50/60Hz	146360

AC-8a Current	Main Contacts	Auxiliary Contacts	Coil	Model Description	Code
25A	1P	-	AC 110V 50/60Hz	NCK3-25/1 110V 50/60Hz	245145
25A	1P	-	AC 110V 50Hz	NCK3-25/1 110V 50Hz	245146
25A	1P	-	AC 110V 60Hz	NCK3-25/1 110V 60Hz	245147
25A	1P	-	AC 120V 50/60Hz	NCK3-25/1 120V 50/60Hz	245148
25A	1P	-	AC 120V 50Hz	NCK3-25/1 120V 50Hz	245149
25A	1P	-	AC 120V 60Hz	NCK3-25/1 120V 60Hz	245150
25A	1P	-	AC 127V 50/60Hz	NCK3-25/1 127V 50/60Hz	245151
25A	1P	-	AC 220V 50/60Hz	NCK3-25/1 220V 50/60Hz	245154
25A	1P	-	AC 220V 50Hz	NCK3-25/1 220V 50Hz	245155
25A	1P	-	AC 220V 60Hz	NCK3-25/1 220V 60Hz	245156
25A	1P	-	AC 230V 50/60Hz	NCK3-25/1 230V 50/60Hz	245157
25A	1P	-	AC 230V 50Hz	NCK3-25/1 230V 50Hz	245158
25A	1P	-	AC 230V 60Hz	NCK3-25/1 230V 60Hz	245159
25A	1P	-	AC 240V 50/60Hz	NCK3-25/1 240V 50/60Hz	245160
25A	1P	-	AC 240V 50Hz	NCK3-25/1 240V 50Hz	245161
25A	1P	-	AC 240V 60Hz	NCK3-25/1 240V 60Hz	245162
25A	1P	-	AC 24V 50/60Hz	NCK3-25/1 24V 50/60Hz	245163
25A	1P	-	AC 24V 50Hz	NCK3-25/1 24V 50Hz	245164
25A	1P	-	AC 24V 60Hz	NCK3-25/1 24V 60Hz	245165
25A	1P	-	AC 380V 50/60Hz	NCK3-25/1 380V 50/60Hz	245169
25A	1P	-	AC 380V 50Hz	NCK3-25/1 380V 50Hz	245170
25A	1P	-	AC 24V 50/60Hz	NCK3-25 24V 50/60Hz	245672
25A	1P	-	AC 24V 50Hz	NCK3-25 24V 50Hz	245673
25A	1P	-	AC 24V 60Hz	NCK3-25 24V 60Hz	245674
25A	1P	-	AC 110V 50/60Hz	NCK3-25 110V 50/60Hz	245681
25A	1P	-	AC 110V 50Hz	NCK3-25 110V 50Hz	245682
25A	1P	-	AC 110V 60Hz	NCK3-25 110V 60Hz	245683
25A	1P	-	AC 120V 50/60Hz	NCK3-25 120V 50/60Hz	245684
25A	1P	-	AC 120V 50Hz	NCK3-25 120V 50Hz	245685
25A	1P	-	AC 120V 60Hz	NCK3-25 120V 60Hz	245686
25A	1P	-	AC 127V 50/60Hz	NCK3-25 127V 50/60Hz	245687
25A	1P	-	AC 220V 50/60Hz	NCK3-25 220V 50/60Hz	245690
25A	1P	-	AC 220V 50Hz	NCK3-25 220V 50Hz	245691
25A	1P	-	AC 220V 60Hz	NCK3-25 220V 60Hz	245692
25A	1P	-	AC 230V 50/60Hz	NCK3-25 230V 50/60Hz	245693
25A	1P	-	AC 230V 50Hz	NCK3-25 230V 50Hz	245694
25A	1P	-	AC 230V 60Hz	NCK3-25 230V 60Hz	245695
25A	1P	-	AC 240V 50/60Hz	NCK3-25 240V 50/60Hz	245696
25A	1P	-	AC 240V 50Hz	NCK3-25 240V 50Hz	245697
25A	1P	-	AC 240V 60Hz	NCK3-25 240V 60Hz	245698
25A	1P	-	AC 380V 50/60Hz	NCK3-25 380V 50/60Hz	245699
25A	1P	-	AC 380V 50Hz	NCK3-25 380V 50Hz	245700

AC-8a Current	Main Contacts	Auxiliary Contacts	Coil	Model Description	Code
25A	1P	1NC	AC 110V 50/60Hz	NCK3-25/101 110V 50/60Hz	245187
25A	1P	1NC	AC 110V 50Hz	NCK3-25/101 110V 50Hz	245188
25A	1P	1NC	AC 110V 60Hz	NCK3-25/101 110V 60Hz	245189
25A	1P	1NC	AC 120V 50/60Hz	NCK3-25/101 120V 50/60Hz	245190
25A	1P	1NC	AC 120V 50Hz	NCK3-25/101 120V 50Hz	245191
25A	1P	1NC	AC 120V 60Hz	NCK3-25/101 120V 60Hz	245192
25A	1P	1NC	AC 127V 50/60Hz	NCK3-25/101 127V 50/60Hz	245193
25A	1P	1NC	AC 220V 50/60Hz	NCK3-25/101 220V 50/60Hz	245196
25A	1P	1NC	AC 220V 50Hz	NCK3-25/101 220V 50Hz	245197
25A	1P	1NC	AC 220V 60Hz	NCK3-25/101 220V 60Hz	245198
25A	1P	1NC	AC 230V 50/60Hz	NCK3-25/101 230V 50/60Hz	245199
25A	1P	1NC	AC 230V 50Hz	NCK3-25/101 230V 50Hz	245200
25A	1P	1NC	AC 230V 60Hz	NCK3-25/101 230V 60Hz	245201
25A	1P	1NC	AC 240V 50/60Hz	NCK3-25/101 240V 50/60Hz	245202
25A	1P	1NC	AC 240V 50Hz	NCK3-25/101 240V 50Hz	245203
25A	1P	1NC	AC 240V 60Hz	NCK3-25/101 240V 60Hz	245204
25A	1P	1NC	AC 24V 50/60Hz	NCK3-25/101 24V 50/60Hz	245205
25A	1P	1NC	AC 24V 50Hz	NCK3-25/101 24V 50Hz	245206
25A	1P	1NC	AC 24V 60Hz	NCK3-25/101 24V 60Hz	245207
25A	1P	1NC	AC 380V 50/60Hz	NCK3-25/101 380V 50/60Hz	245211
25A	1P	1NC	AC 380V 50Hz	NCK3-25/101 380V 50Hz	245212
25A	2P	-	AC 110V 50/60Hz	NCK3-25/2 110V 50/60Hz	245229
25A	2P	-	AC 110V 50Hz	NCK3-25/2 110V 50Hz	245230
25A	2P	-	AC 110V 60Hz	NCK3-25/2 110V 60Hz	245231
25A	2P	-	AC 120V 50/60Hz	NCK3-25/2 120V 50/60Hz	245232
25A	2P	-	AC 120V 50Hz	NCK3-25/2 120V 50Hz	245233
25A	2P	-	AC 120V 60Hz	NCK3-25/2 120V 60Hz	245234
25A	2P	-	AC 127V 50/60Hz	NCK3-25/2 127V 50/60Hz	245235
25A	2P	-	AC 220V 50/60Hz	NCK3-25/2 220V 50/60Hz	245238
25A	2P	-	AC 220V 50Hz	NCK3-25/2 220V 50Hz	245239
25A	2P	-	AC 220V 60Hz	NCK3-25/2 220V 60Hz	245240
25A	2P	-	AC 230V 50/60Hz	NCK3-25/2 230V 50/60Hz	245241
25A	2P	-	AC 230V 50Hz	NCK3-25/2 230V 50Hz	245242
25A	2P	-	AC 230V 60Hz	NCK3-25/2 230V 60Hz	245243
25A	2P	-	AC 240V 50/60Hz	NCK3-25/2 240V 50/60Hz	245244
25A	2P	-	AC 240V 50Hz	NCK3-25/2 240V 50Hz	245245
25A	2P	-	AC 240V 60Hz	NCK3-25/2 240V 60Hz	245246
25A	2P	-	AC 24V 50/60Hz	NCK3-25/2 24V 50/60Hz	245247
25A	2P	-	AC 24V 50Hz	NCK3-25/2 24V 50Hz	245248
25A	2P	-	AC 24V 60Hz	NCK3-25/2 24V 60Hz	245249
25A	2P	-	AC 380V 50/60Hz	NCK3-25/2 380V 50/60Hz	245253
25A	2P	-	AC 380V 50Hz	NCK3-25/2 380V 50Hz	245254

AC-8a Current	Main Contacts	Auxiliary Contacts	Coil	Model Description	Code
30A	2P	-	AC 110V 50/60Hz	NCK3-30/2 110V 50/60Hz	245271
30A	2P	-	AC 220V 50/60Hz	NCK3-30/2 220V 50/60Hz	245272
30A	2P	-	AC 24V 50/60Hz	NCK3-30/2 24V 50/60Hz	245273
30A	2P	-	AC 24V 60Hz	NCK3-30/2 24V 60Hz	245594
30A	2P	-	AC 230V 50/60Hz	NCK3-30/2 230V 50/60Hz	246371
30A	2P	-	AC 240V 50/60Hz	NCK3-30/2 240V 50/60Hz	246814

AC-8a Current	Main Contacts	Auxiliary Contacts	Coil	Model Description	Code
32A	1P	-	AC 110V 50/60Hz	NCK3-32/1 110V 50/60Hz	245274
32A	1P	-	AC 110V 50Hz	NCK3-32/1 110V 50Hz	245275
32A	1P	-	AC 110V 60Hz	NCK3-32/1 110V 60Hz	245276
32A	1P	-	AC 120V 50/60Hz	NCK3-32/1 120V 50/60Hz	245277
32A	1P	-	AC 120V 50Hz	NCK3-32/1 120V 50Hz	245278
32A	1P	-	AC 120V 60Hz	NCK3-32/1 120V 60Hz	245279
32A	1P	-	AC 127V 50/60Hz	NCK3-32/1 127V 50/60Hz	245280
32A	1P	-	AC 220V 50/60Hz	NCK3-32/1 220V 50/60Hz	245283
32A	1P	-	AC 220V 50Hz	NCK3-32/1 220V 50Hz	245284
32A	1P	-	AC 220V 60Hz	NCK3-32/1 220V 60Hz	245285
32A	1P	-	AC 230V 50/60Hz	NCK3-32/1 230V 50/60Hz	245286
32A	1P	-	AC 230V 50Hz	NCK3-32/1 230V 50Hz	245287
32A	1P	-	AC 230V 60Hz	NCK3-32/1 230V 60Hz	245288
32A	1P	-	AC 240V 50/60Hz	NCK3-32/1 240V 50/60Hz	245289
32A	1P	-	AC 240V 50Hz	NCK3-32/1 240V 50Hz	245290
32A	1P	-	AC 240V 60Hz	NCK3-32/1 240V 60Hz	245291
32A	1P	-	AC 24V 50/60Hz	NCK3-32/1 24V 50/60Hz	245292
32A	1P	-	AC 24V 50Hz	NCK3-32/1 24V 50Hz	245293
32A	1P	-	AC 24V 60Hz	NCK3-32/1 24V 60Hz	245294
32A	1P	-	AC 380V 50/60Hz	NCK3-32/1 380V 50/60Hz	245298
32A	1P	-	AC 380V 50Hz	NCK3-32/1 380V 50Hz	245299
32A	1P	-	AC 110V 50/60Hz	NCK3-32/2 110V 50/60Hz	245361
32A	1P	1NC	AC 110V 50/60Hz	NCK3-32/101 110V 50/60Hz	245319
32A	1P	1NC	AC 110V 50Hz	NCK3-32/101 110V 50Hz	245320
32A	1P	1NC	AC 110V 60Hz	NCK3-32/101 110V 60Hz	245321
32A	1P	1NC	AC 120V 50/60Hz	NCK3-32/101 120V 50/60Hz	245322
32A	1P	1NC	AC 120V 50Hz	NCK3-32/101 120V 50Hz	245323
32A	1P	1NC	AC 120V 60Hz	NCK3-32/101 120V 60Hz	245324
32A	1P	1NC	AC 127V 50/60Hz	NCK3-32/101 127V 50/60Hz	245325
32A	1P	1NC	AC 220V 50/60Hz	NCK3-32/101 220V 50/60Hz	245328
32A	1P	1NC	AC 220V 50Hz	NCK3-32/101 220V 50Hz	245329
32A	1P	1NC	AC 220V 60Hz	NCK3-32/101 220V 60Hz	245330
32A	1P	1NC	AC 230V 50/60Hz	NCK3-32/101 230V 50/60Hz	245331
32A	1P	1NC	AC 230V 50Hz	NCK3-32/101 230V 50Hz	245332
32A	1P	1NC	AC 230V 60Hz	NCK3-32/101 230V 60Hz	245333
32A	1P	1NC	AC 240V 50/60Hz	NCK3-32/101 240V 50/60Hz	245334
32A	1P	1NC	AC 240V 50Hz	NCK3-32/101 240V 50Hz	245335
32A	1P	1NC	AC 240V 60Hz	NCK3-32/101 240V 60Hz	245336
32A	1P	1NC	AC 24V 50/60Hz	NCK3-32/101 24V 50/60Hz	245337
32A	1P	1NC	AC 24V 50Hz	NCK3-32/101 24V 50Hz	245338
32A	1P	1NC	AC 24V 60Hz	NCK3-32/101 24V 60Hz	245339
32A	1P	1NC	AC 380V 50/60Hz	NCK3-32/101 380V 50/60Hz	245343
32A	1P	1NC	AC 380V 50Hz	NCK3-32/101 380V 50Hz	245344

AC-8a Current	Main Contacts	Auxiliary Contacts	Coil	Model Description	Code
32A	1P	-	AC 24V 50/60Hz	NCK3-32 24V 50/60Hz	245573
32A	1P	-	AC 220V 50/60Hz	NCK3-32 220V 50/60Hz	245628
32A	1P	-	AC 24V 50Hz	NCK3-32 24V 50Hz	245711
32A	1P	-	AC 24V 60Hz	NCK3-32 24V 60Hz	245712
32A	1P	-	AC 110V 50/60Hz	NCK3-32 110V 50/60Hz	245719
32A	1P	-	AC 110V 50Hz	NCK3-32 110V 50Hz	245720
32A	1P	-	AC 110V 60Hz	NCK3-32 110V 60Hz	245721
32A	1P	-	AC 120V 50/60Hz	NCK3-32 120V 50/60Hz	245722
32A	1P	-	AC 120V 50Hz	NCK3-32 120V 50Hz	245723
32A	1P	-	AC 120V 60Hz	NCK3-32 120V 60Hz	245724
32A	1P	-	AC 127V 50/60Hz	NCK3-32 127V 50/60Hz	245725
32A	1P	-	AC 220V 50Hz	NCK3-32 220V 50Hz	245728
32A	1P	-	AC 220V 60Hz	NCK3-32 220V 60Hz	245729
32A	1P	-	AC 230V 50/60Hz	NCK3-32 230V 50/60Hz	245730
32A	1P	-	AC 230V 50Hz	NCK3-32 230V 50Hz	245731
32A	1P	-	AC 230V 60Hz	NCK3-32 230V 60Hz	245732
32A	1P	-	AC 240V 50/60Hz	NCK3-32 240V 50/60Hz	245733
32A	1P	-	AC 240V 50Hz	NCK3-32 240V 50Hz	245734
32A	1P	-	AC 240V 60Hz	NCK3-32 240V 60Hz	245735
32A	1P	-	AC 380V 50/60Hz	NCK3-32 380V 50/60Hz	245736
32A	1P	-	AC 380V 50Hz	NCK3-32 380V 50Hz	245737
32A	1P	-	AC 24V 50/60Hz	NCK3-32/1 24V 50/60Hz Screw DK	279038
32A	2P	-	AC 110V 50Hz	NCK3-32/2 110V 50Hz	245362
32A	2P	-	AC 110V 60Hz	NCK3-32/2 110V 60Hz	245363
32A	2P	-	AC 120V 50/60Hz	NCK3-32/2 120V 50/60Hz	245364
32A	2P	-	AC 120V 50Hz	NCK3-32/2 120V 50Hz	245365
32A	2P	-	AC 120V 60Hz	NCK3-32/2 120V 60Hz	245366
32A	2P	-	AC 127V 50/60Hz	NCK3-32/2 127V 50/60Hz	245367
32A	2P	-	AC 220V 50/60Hz	NCK3-32/2 220V 50/60Hz	245370
32A	2P	-	AC 220V 50Hz	NCK3-32/2 220V 50Hz	245371
32A	2P	-	AC 220V 60Hz	NCK3-32/2 220V 60Hz	245372
32A	2P	-	AC 230V 50/60Hz	NCK3-32/2 230V 50/60Hz	245373
32A	2P	-	AC 230V 50Hz	NCK3-32/2 230V 50Hz	245374
32A	2P	-	AC 230V 60Hz	NCK3-32/2 230V 60Hz	245375
32A	2P	-	AC 240V 50/60Hz	NCK3-32/2 240V 50/60Hz	245376
32A	2P	-	AC 240V 50Hz	NCK3-32/2 240V 50Hz	245377
32A	2P	-	AC 240V 60Hz	NCK3-32/2 240V 60Hz	245378
32A	2P	-	AC 24V 50/60Hz	NCK3-32/2 24V 50/60Hz	245379
32A	2P	-	AC 24V 50Hz	NCK3-32/2 24V 50Hz	245380
32A	2P	-	AC 24V 60Hz	NCK3-32/2 24V 60Hz	245381
32A	2P	-	AC 380V 50/60Hz	NCK3-32/2 380V 50/60Hz	245385
32A	2P	-	AC 380V 50Hz	NCK3-32/2 380V 50Hz	245386
32A	2P	-	AC 24V 50/60Hz	NCK3-32/2 24V 50/60Hz Screw Quad DK	246874
32A	3P	-	AC 24V 50/60Hz	NCK3-32/3 24V 50/60Hz Screw DK	246878

AC-8a Current	Main Contacts	Auxiliary Contacts	Coil	Model Description	Code
40A	1P	-	AC 110V 50/60Hz	NCK3-40/1 110V 50/60Hz	245403
40A	1P	-	AC 110V 50Hz	NCK3-40/1 110V 50Hz	245404
40A	1P	-	AC 110V 60Hz	NCK3-40/1 110V 60Hz	245405
40A	1P	-	AC 120V 50/60Hz	NCK3-40/1 120V 50/60Hz	245406
40A	1P	-	AC 120V 50Hz	NCK3-40/1 120V 50Hz	245407
40A	1P	-	AC 120V 60Hz	NCK3-40/1 120V 60Hz	245408
40A	1P	-	AC 127V 50/60Hz	NCK3-40/1 127V 50/60Hz	245409
40A	1P	-	AC 220V 50/60Hz	NCK3-40/1 220V 50/60Hz	245412
40A	1P	-	AC 220V 50Hz	NCK3-40/1 220V 50Hz	245413
40A	1P	-	AC 220V 60Hz	NCK3-40/1 220V 60Hz	245414
40A	1P	-	AC 230V 50/60Hz	NCK3-40/1 230V 50/60Hz	245415
40A	1P	-	AC 230V 50Hz	NCK3-40/1 230V 50Hz	245416
40A	1P	-	AC 230V 60Hz	NCK3-40/1 230V 60Hz	245417
40A	1P	-	AC 240V 50/60Hz	NCK3-40/1 240V 50/60Hz	245418
40A	1P	-	AC 240V 50Hz	NCK3-40/1 240V 50Hz	245419
40A	1P	-	AC 240V 60Hz	NCK3-40/1 240V 60Hz	245420
40A	1P	-	AC 24V 50/60Hz	NCK3-40/1 24V 50/60Hz	245421
40A	1P	-	AC 24V 50Hz	NCK3-40/1 24V 50Hz	245422
40A	1P	-	AC 24V 60Hz	NCK3-40/1 24V 60Hz	245423
40A	1P	-	AC 380V 50/60Hz	NCK3-40/1 380V 50/60Hz	245427
40A	1P	-	AC 380V 50Hz	NCK3-40/1 380V 50Hz	245428
40A	1P	-	AC 110V 50/60Hz	NCK3-40 110V 50/60Hz	245532
40A	1P	-	AC 110V 50Hz	NCK3-40 110V 50Hz	245533
40A	1P	-	AC 110V 60Hz	NCK3-40 110V 60Hz	245534
40A	1P	-	AC 127V 50/60Hz	NCK3-40 127V 50/60Hz	245535
40A	1P	-	AC 220V 50/60Hz	NCK3-40 220V 50/60Hz	245538
40A	1P	-	AC 220V 50Hz	NCK3-40 220V 50Hz	245539
40A	1P	-	AC 220V 60Hz	NCK3-40 220V 60Hz	245540
40A	1P	-	AC 230V 50/60Hz	NCK3-40 230V 50/60Hz	245541
40A	1P	-	AC 230V 50Hz	NCK3-40 230V 50Hz	245542
40A	1P	-	AC 230V 60Hz	NCK3-40 230V 60Hz	245543
40A	1P	-	AC 240V 50/60Hz	NCK3-40 240V 50/60Hz	245544
40A	1P	-	AC 240V 50Hz	NCK3-40 240V 50Hz	245545
40A	1P	-	AC 240V 60Hz	NCK3-40 240V 60Hz	245546
40A	1P	-	AC 24V 50/60Hz	NCK3-40 24V 50/60Hz	245547
40A	1P	-	AC 24V 50Hz	NCK3-40 24V 50Hz	245548
40A	1P	-	AC 24V 60Hz	NCK3-40 24V 60Hz	245549
40A	1P	-	AC 380V 50/60Hz	NCK3-40 380V 50/60Hz	245553
40A	1P	-	AC 380V 50Hz	NCK3-40 380V 50Hz	245554
40A	1P	-	AC 230V 50/60Hz	NCK3-40/1 230V 50/60Hz Panasonic	292671

AC-8a Current	Main Contacts	Auxiliary Contacts	Coil	Model Description	Code
40A	1P	1NC	AC 110V 50/60Hz	NCK3-40/101 110V 50/60Hz	245448
40A	1P	1NC	AC 110V 50Hz	NCK3-40/101 110V 50Hz	245449
40A	1P	1NC	AC 110V 60Hz	NCK3-40/101 110V 60Hz	245450
40A	1P	1NC	AC 120V 50/60Hz	NCK3-40/101 120V 50/60Hz	245451
40A	1P	1NC	AC 120V 50Hz	NCK3-40/101 120V 50Hz	245452
40A	1P	1NC	AC 120V 60Hz	NCK3-40/101 120V 60Hz	245453
40A	1P	1NC	AC 127V 50/60Hz	NCK3-40/101 127V 50/60Hz	245454
40A	1P	1NC	AC 220V 50/60Hz	NCK3-40/101 220V 50/60Hz	245457
40A	1P	1NC	AC 220V 50Hz	NCK3-40/101 220V 50Hz	245458
40A	1P	1NC	AC 220V 60Hz	NCK3-40/101 220V 60Hz	245459
40A	1P	1NC	AC 230V 50/60Hz	NCK3-40/101 230V 50/60Hz	245460
40A	1P	1NC	AC 230V 50Hz	NCK3-40/101 230V 50Hz	245461
40A	1P	1NC	AC 230V 60Hz	NCK3-40/101 230V 60Hz	245462
40A	1P	1NC	AC 240V 50/60Hz	NCK3-40/101 240V 50/60Hz	245463
40A	1P	1NC	AC 240V 50Hz	NCK3-40/101 240V 50Hz	245464
40A	1P	1NC	AC 240V 60Hz	NCK3-40/101 240V 60Hz	245465
40A	1P	1NC	AC 24V 50/60Hz	NCK3-40/101 24V 50/60Hz	245466
40A	1P	1NC	AC 24V 50Hz	NCK3-40/101 24V 50Hz	245467
40A	1P	1NC	AC 24V 60Hz	NCK3-40/101 24V 60Hz	245468
40A	1P	1NC	AC 380V 50/60Hz	NCK3-40/101 380V 50/60Hz	245472
40A	1P	1NC	AC 380V 50Hz	NCK3-40/101 380V 50Hz	245473
40A	2P	-	AC 110V 50/60Hz	NCK3-40/2 110V 50/60Hz	245490
40A	2P	-	AC 110V 50Hz	NCK3-40/2 110V 50Hz	245491
40A	2P	-	AC 110V 60Hz	NCK3-40/2 110V 60Hz	245492
40A	2P	-	AC 120V 50/60Hz	NCK3-40/2 120V 50/60Hz	245493
40A	2P	-	AC 120V 50Hz	NCK3-40/2 120V 50Hz	245494
40A	2P	-	AC 120V 60Hz	NCK3-40/2 120V 60Hz	245495
40A	2P	-	AC 127V 50/60Hz	NCK3-40/2 127V 50/60Hz	245496
40A	2P	-	AC 220V 50/60Hz	NCK3-40/2 220V 50/60Hz	245499
40A	2P	-	AC 220V 50Hz	NCK3-40/2 220V 50Hz	245500
40A	2P	-	AC 220V 60Hz	NCK3-40/2 220V 60Hz	245501
40A	2P	-	AC 230V 50/60Hz	NCK3-40/2 230V 50/60Hz	245502
40A	2P	-	AC 230V 50Hz	NCK3-40/2 230V 50Hz	245503
40A	2P	-	AC 230V 60Hz	NCK3-40/2 230V 60Hz	245504
40A	2P	-	AC 240V 50/60Hz	NCK3-40/2 240V 50/60Hz	245505
40A	2P	-	AC 240V 50Hz	NCK3-40/2 240V 50Hz	245506
40A	2P	-	AC 240V 60Hz	NCK3-40/2 240V 60Hz	245507
40A	2P	-	AC 24V 50/60Hz	NCK3-40/2 24V 50/60Hz	245508
40A	2P	-	AC 24V 50Hz	NCK3-40/2 24V 50Hz	245509
40A	2P	-	AC 24V 60Hz	NCK3-40/2 24V 60Hz	245510
40A	2P	-	AC 380V 50/60Hz	NCK3-40/2 380V 50/60Hz	245514
40A	2P	-	AC 380V 50Hz	NCK3-40/2 380V 50Hz	245515

AC-8a Current	Main Contacts	Auxiliary Contacts	Coil	Model Description	Code
50A	3P	-	AC 440V 50/60Hz	NCK3-50/3 440V 50/60Hz	515504
50A	3P	-	AC 600V 50/60Hz	NCK3-50/3 600V 50/60Hz	515505
60A	3P	-	AC 440V 50/60Hz	NCK3-60/3 440V 50/60Hz	515506
60A	3P	-	AC 600V 50/60Hz	NCK3-60/3 600V 50/60Hz	515507
75A	3P	-	AC 600V 50/60Hz	NCK3-75/3 600V 50/60Hz	515508
90A	3P	-	AC 600V 50/60Hz	NCK3-90/3 600V 50/60Hz	515509